

LED LIGHT BOX HF57

DATA SHEET



Our **LED Light Box HF57** is a hinged front cover, single-sided, wall-mounted light box. Typically top-hinged, the front cover is supported in the open position with gas struts. The graphic is attached to the inside of the hinged front cover with magnetic strips. The display is especially suitable for illuminating large sized graphics. Total thickness is 57 mm, the frame width 66 mm.

The LED Light Box HF57 is backlit by our high-tech Addlux LED Light Sheet, which ensures optimum evenness of illumination across the entire viewing area regardless of the size of the display. 6000K is the standard colour temperature – optimum for illuminating graphics. Other colour temperatures are available on request.

We supply the display in any size up to 3 m x 2 m and to all applicable customers specifications. The standard finish is anodised aluminium (silver); powder-coated frames in any RAL colour are optional, as is logo printing. An IP 67 rated version is also available with a tamper-free lock for outdoor use.

PRODUCT FEATURES

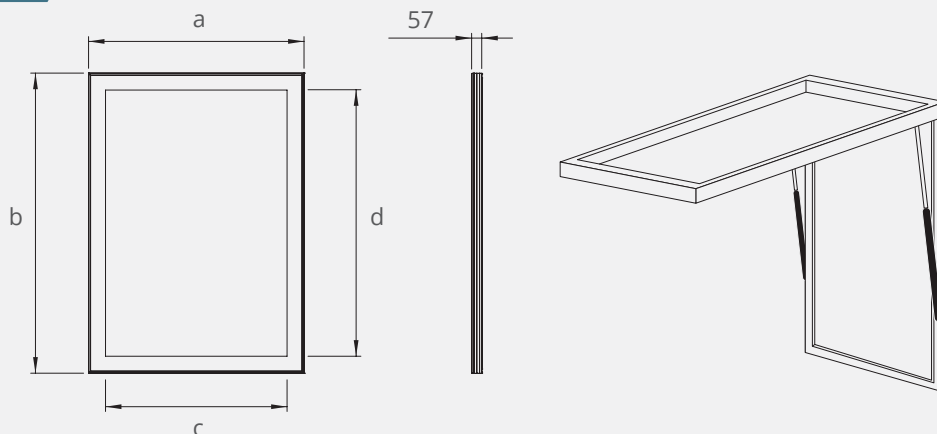


- Suitable for illuminating very large sized graphics
- Hinged top-cover, gas-strut supported front cover
- Single-sided, wall mounted
- Total thickness 57 mm, frame width 66 mm
- Any rectangular shape up to 3,000 mm x 2,000 mm; various frame colours possible
- IP 67 version available
- Choice of cable length and access location; plug & play

TECHNICAL DATA

Voltage	LED strip type	Current/unit	Power/m
12V	PL-FS2835	60mA	12W/m
24V	PL-RS1180	30mA	22W/m

SPECIFICATIONS



- LED Light Sheet / Astrolux
- Aluminium frame, single-/double-sided, 57mm total depth
- External 12V/24V DC transformers

Size	Frame Size (mm) a × b	Visible Size (mm) c × d	Graphic Size (mm)
A2	686 x 512	558 x 384	594 x 420
A1	933 x 686	805 x 558	841 x 594
A0	1281 x 933	1153 x 805	1189 x 841
6 Sheet	1892 x 1292	1764 x 1164	1800 x 1200
12 Sheet	3142 x 1612	3014 x 1484	3050 x 1520
Custom (max)	Enquire	Enquire	Enquire