

## LED LIGHT BOX TFS120

DATA SHEET



Our **LED light box TFS 120** is a single- or double-sided, suspended, wall-mounted (single-sided) or free-standing display suitable for exhibiting tension fabric graphics. The aluminium alloy frame is 120 mm deep. The graphic is backlit either with our Astrolux backlighting or alternatively with our Raylux edgelighting technologies.

Available in pre-manufactured flat-pack kit form to assemble to displays sized up to 3 m in width. The fabric print is stretched over the aluminium frame under tension

and held securely in place with a silicone rubber cord attached to the fabric edge and inserted in a slot in the frame.

*Optional: We can supply each kit complete with printed fabric graphic.*

## PRODUCT FEATURES

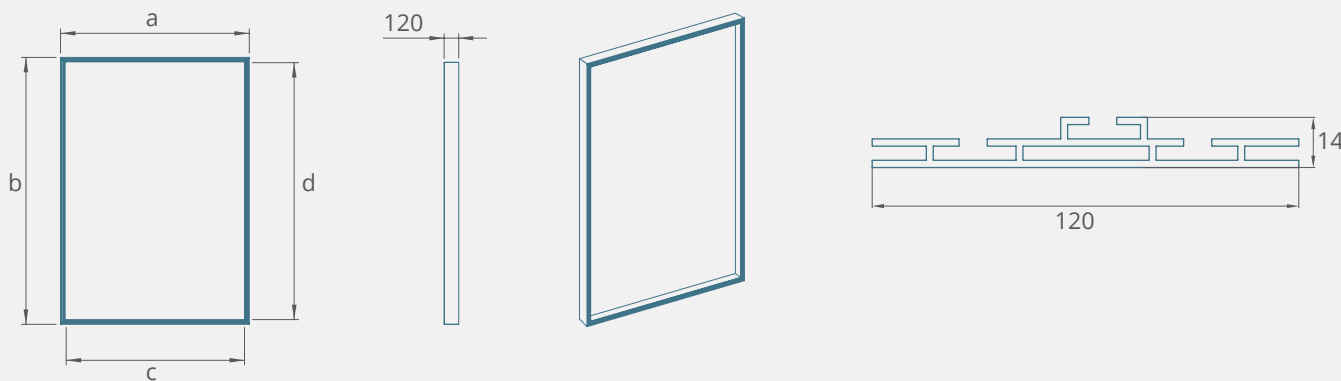


- Cost-effective tension fabric light box
- Available with different LED backlighting technologies
- Bright even illumination
- Use suspended, free standing or wall mounted
- 120mm deep, single- and double-sided
- Variable length, up to 3,000mm width
- Easy attachment of tension fabric
- Supplied as easy-to-assemble flat-pack kit

## TECHNICAL DATA

Voltage	LED strip type	Current/unit	Power/m
12V	PL-FS2835	60mA	12W/m
24V	PL-RS1180	30mA	22W/m

## SPECIFICATIONS



- Raylux / Astrolux
- Aluminium frame, single-/double-sided, 120mm total depth
- External 12V/24V DC transformers

Size	Frame Size (mm) a × b	Visible Size (mm) c × d	Graphic Size (mm)
A4	297 x 210	291 x 204	318 x 231
A3	420 x 297	414 x 291	441 x 318
A2	594 x 420	588 x 414	615 x 441
A1	841 x 594	835 x 588	862 x 615
A0	1189 x 841	1183 x 835	1210 x 862
Custom (max)	Enquire	Enquire	Enquire